

16-port CAT5 KVM Switch



The BE-616P CAT5 KVM Switch lets you access and control 16 separate servers and combine with innovative KVM Transmitter Dongles directly connects to each server, eliminating cable clutter and the need for multiple consoles. A single BE-616P can access and control up to 16 PCs. Multiple BE-616P can be linked together and control/access up to 256 PCs.

The BE-616P 16-port CAT5 KVM Switch is a powerful, compact, cutting-edge, cost-effective rack mountable KVM switch. The 1U sized design features CAT5 cable to eliminate cable clutter, and powerful on-screen display (OSD) control and management. You can access and control up to 16 separate servers, or you can leverage installation by connecting to existing KVM units.

Features:

- ◆ Remotely access and control up to 16 separate servers, from as far as 300 meters (1000 ft) away.
- ◆ By cascading a second level BE-616P units, up to 256 computers can be controlled.
- ◆ Supports DDC-2 protocol and DDC/CI auto screen adjustment.
- ◆ Totally flexible. Handles both USB and PS2 servers.
- ◆ Supports local console and remote access, for convenient control.
- ◆ Flexibility multiplied. Remote Console can be either USB or PS2 style, or both.
- ◆ Simple, On-Screen Display makes servers easy to access and control.
- ◆ Add a server at any time without interrupting other servers' operation.
- ◆ Future proof. Built in firmware upgradeability.
- ◆ Rack mounting kit included.

Specifications:

CAT5 KVM Switch	
Order No.	BE-616P
System Cable	CAT5 (minimum), FTP Solid Wire 2x4x24 AWG, standard 568B RJ-45 connector
Connectors	Monitor: HDD15F *1 Keyboard: MiniDin6F *1 Mouse: MiniDin6 F *1 USB upgrade: Type B F *1 System In: RJ45 *16 Remote Console Link: RJ4 *1 Power: Jack *1
Control	OSD/KB
Distance (Server to KVM Switch)	Up to 20 m (up to 66 ft)
Distance (KVM Switch to Remote Console)	Up to 300 m (up to 1000 ft)
Video	1600 x 1200 @ 60 Hz (subject to cable and VGA signal quality)
Dimensions	440H x 133D x 483W mm (1.75H x 5.25D x 19W in.)
Weight	1410 g (3.1 lbs)
Power	Int. 100~240VAC > 25W±5VDC
Operating Temp.	0 °~60°C (32°C~140°F)
Storage Temp.	-40° ~ +70° C (-40°~158°F) non- condensing

Direct-plug KVM Transmitter					
Order No.	BE-601US	BE-601PS	BE-601UM	BE-601PM	
					
System Cable	CAT5 (minimum), FTP Solid Wire 2x4x24 AWG				
Connectors	System OUT	RJ-45F X 1	RJ-45F X 1	RJ-45M X 1	RJ-45M X 1
	VGA IN	HDD 15M x 1	HDD 15M x 1	HDD 15M x 1	HDD 15M x 1
	PS2 KB	-	MiniDin 6M x 1	-	MiniDin 6M x 1
	PS2 Mouse	-	MiniDin 6M x 1	-	MiniDin 6M x 1
	USB KB/Mouse	Type A (Male) x 1	-	Type A (Male) x 1	-
Distance	Up to 20M (66 ft.)				
Video	1600 x1200 @60HZ				
Dimension	(less pigtail) 60 x 33 x 19 mm (2.4 x 1.3 x 0.75 in.)		(less pigtail) 33 x 58 x 13 mm (2.3 x 1.3 x 0.63 in.) Total Cable length: 180 cm		
Weight	25g (0.9 oz.)	35g (1.3 oz.)	150g (0.44 lb)	150g (0.44 lb)	
Power	From USB port 5V DC 200mA	From PS2 port 5V DC 200mA	From USB port 5V DC 200mA	From PS2 port 5V DC 200mA	
Operating Temp.	0 °~60°C (32°C~140°F)				
Storage Temp.	-40° ~ +70° C (-40°~158°F) non- condensing				

Remote Console



Order No.	BE-6302-150R	BE-6303-150R	BE-6302-300R	BE-6303-300R	
System Cable	CAT5 (minimum), Solid Wire 2x4x24 AWG, standard RJ-45 connector				
Connectors	System In:	RJ-45 x 1	RJ-45 x 1	RJ-45 x 1	RJ-45 x 1
	VGA out:	HDD15F x1	HDD15F x1	HDD15F x1	HDD15F x1
	PS2 KB/Mouse:	MiniDin6F x 2	MiniDin6F x 2	MiniDin6F x 2	MiniDin6F x 2
	USB KB/mouse:	-	USB Type A x 2	-	USB Type A x 2
	Video gain:	Mini pot x 1	Mini pot x 1	Mini pot x 1	Mini pot x 1
	Video EQ:	Mini pot x 1	Mini pot x 1	Mini pot x 1	Mini pot x 1
	Power:	Jack x 1	Jack x 1	Jack x 1	Jack x 1
Focus Control	OSD / Keyboard hotkey				
Video RGB Skew	-	-	YES	YES	
Distance	Up to 150M (500 ft.)		Up to 300M (1000 ft.)		
Video support	1600 x1200 @60Hz (subject to cable and VGA signal quality)				
Dimensions	32H x 93D x 140W mm (1.25H x 3.7D x 5.5W in.)				
Weight	380g (0.83 lbs.)				
Power	External, 100~240VAC input; ±5VDC, max 6W output				
Operating Temp.	0 °~60°C (32°C~140°F)				
Storage Temp.	-40° ~ +70° C (-40°~158°F) non- condensing				

Panel View:

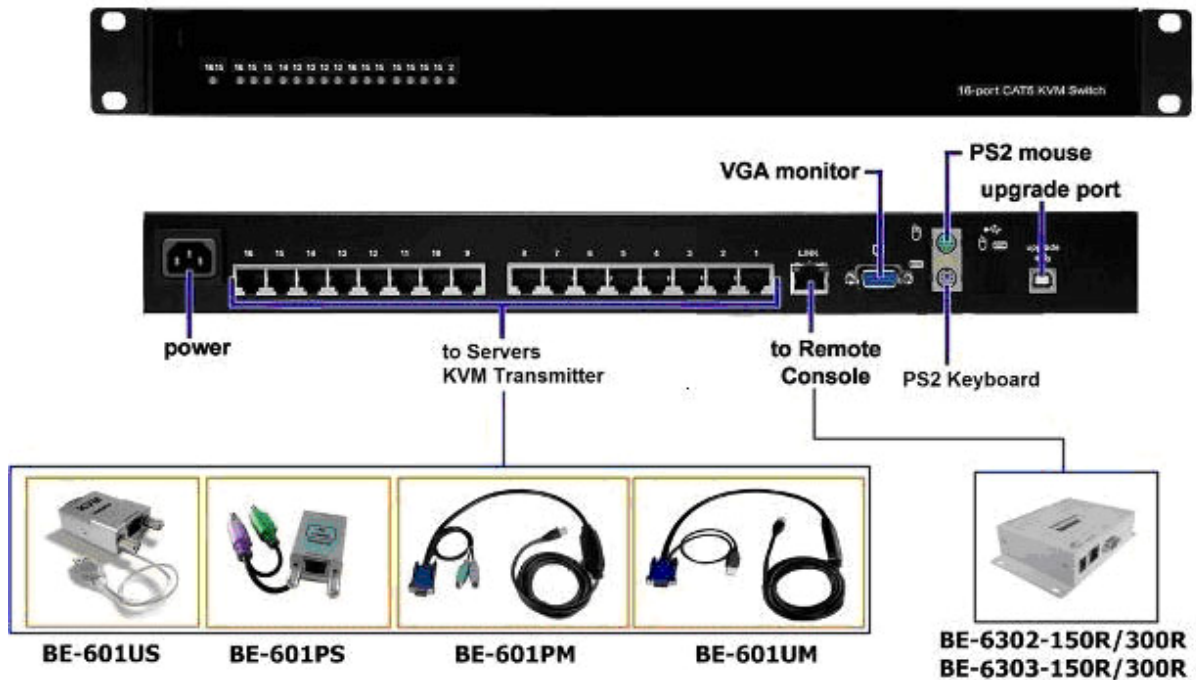
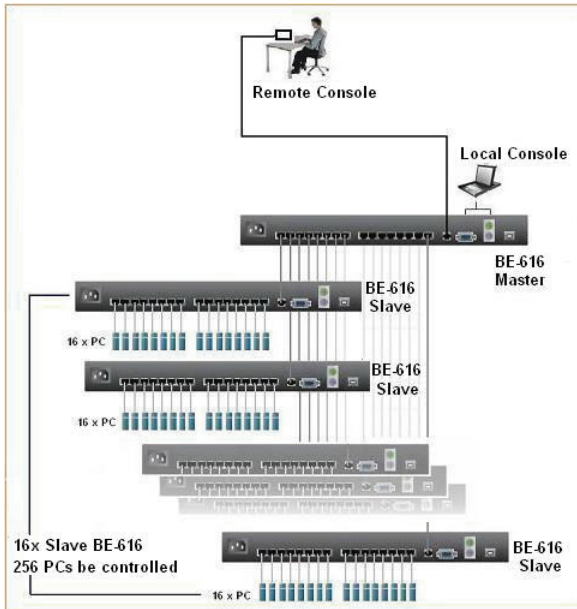
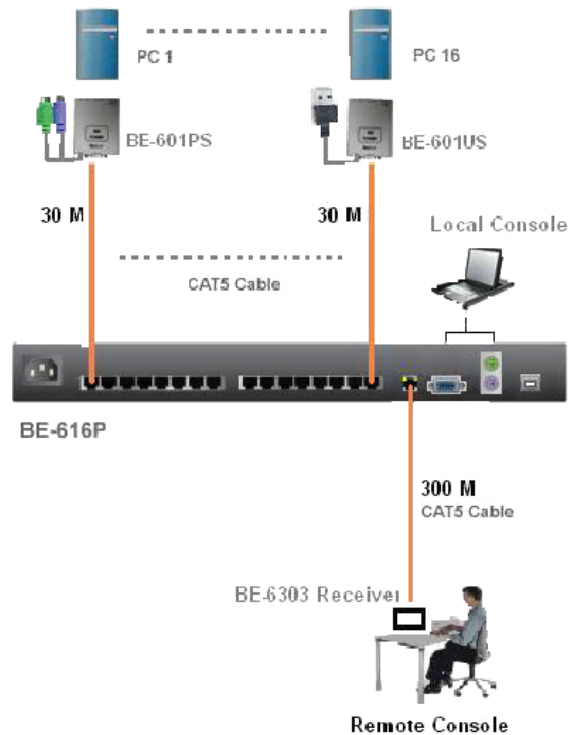


Diagram:

☑ **Multiple BE-616Ps Installation – access up to 256 PCs**



☑ **Single BE-616P Installation**



Ordering Information:

BE-616P	16-port CAT5 KVM Switch console Receiver with OSD, supports 1 x local console (PS2 Keyboard, mouse and monitor, and 1 x remote console port)
BE-601US	KVM Transmitter Dongle with USB KB & Mouse support
BE-601PS	KVM Transmitter Dongle with PS2 KB & Mouse support
BE-601UM	Mini KVM Transmitter Dongle with USB KB & Mouse support
BE-601PM	Mini KVM Transmitter Dongle with PS2 KB & Mouse support
BE-6302-150R	150M Remote KVM Console with PS2 KB & Mouse support
BE-6302-300R	300M Remote KVM Console with PS2 KB & Mouse support
BE-6303-150R	150M Remote KVM Console with PS2 & USB KB & Mouse support
BE-6303-300R	300M Remote KVM Console with PS2 & USB KB & Mouse support